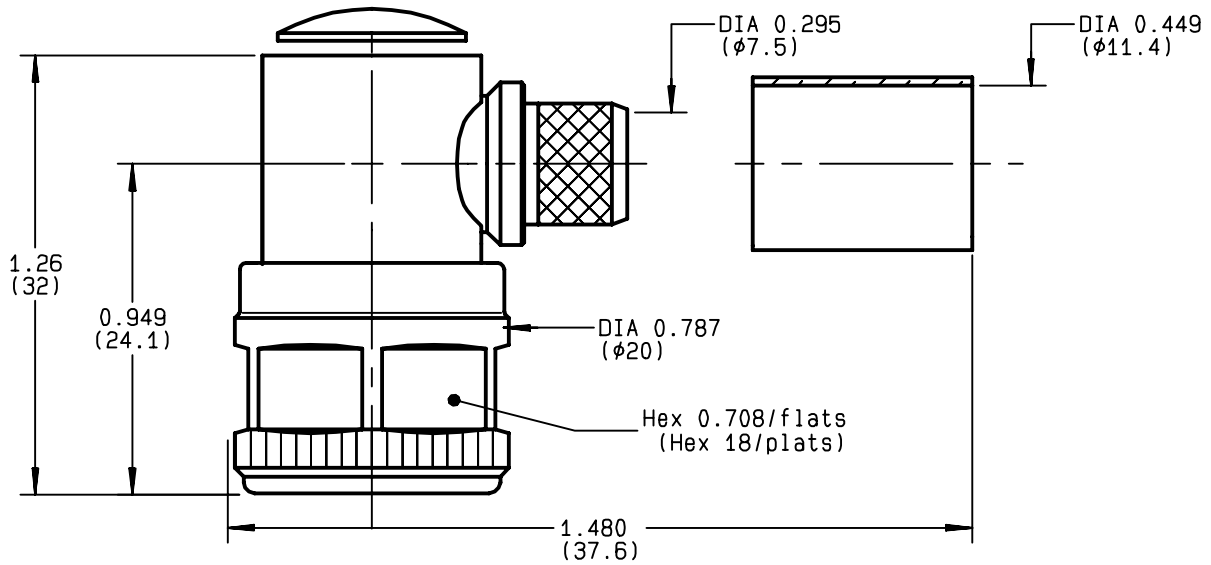


**RIGHT ANGLE PLUG CRIMP TYPE
CABLE 11/50 D**

R161.186.137
SERIES N



NOMINAL IMPEDANCE	50 Ω	CABLES : KX 13 RG 214 RG 225
FREQUENCY RANGE	0-11 GHz	
TEMPERATURE RATING	-55/+155 °C	
V.S.W.R	1.15* + x F(GHz)Maxi	
RF INSERTION LOSS	0.07 √F(GHz) dB Maxi	
VOLTAGE RATING	1000 Veff Maxi	
DIELECTRIC WITHSTANDING VOLTAGE	2500 Veff Mini	
INSULATION RESISTANCE	5000 MΩMini	
HERMETIC SEAL	NA Atm.cm ³ /s	
LEAKAGE (pressurized only)	NA	
MECHANICAL DURABILITY	500 Cycles	OTHERS CHARACTERISTICS
WEIGHT	43 gr	PIM3 < -155 dBc (-112 dBm) 2x20W
SPECIFICATION	* 0-2 GHz	CABLE RETENTION 400 N Mini
		CENTER CONTACT RETENTION
		Axial force - mating end 27 N Mini
		Axial force - opposite end 27 N Mini
		Torque NA cm.N Mini
		RECOMMENDED TORQUES
		Mating 170 cm.N
		Panel nut NA cm.N
		Clamp nut NA cm.N

CONNECTOR PARTS	MATERIALS	FINISH	(all values are given in micrometers)
BODY	BRASS	BBR 0.5 OVER SILVER 3	
OUTER CONTACT	BRASS	BBR 0.5 OVER SILVER 3	
CENTER CONTACT	BRASS	SILVER 3 OVER COPPER 0.5	
INSULATOR	PTFE	-	
GASKET	SILICONE RUBBER	-	
OTHERS PIECES	BRASS	BBR 0.5 OVER SILVER 3	

ISSUE	CREATION DATE	FILE PART-NUMBER
9808E02	23/03/1993	EPC 96-07



RADIALL®

Connect to the future

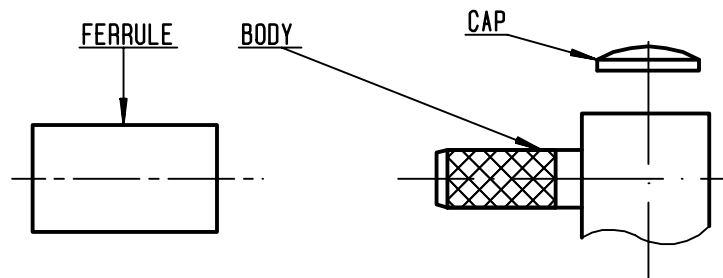
The information given here is subject to change without notice.
Design changes may be in order to improve the product.

VIGNARD



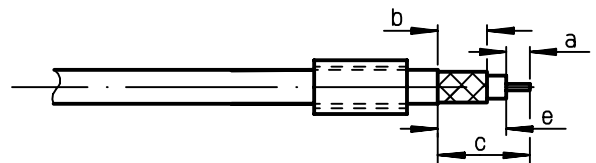
R161.186.137

ISSUE **9808E02** SERIES **N**



①

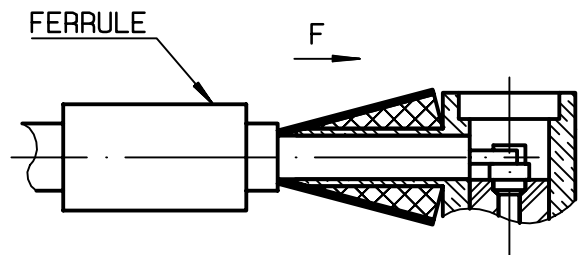
Slide onto the cable the ferrule .
Strip the cable .
-
-



Stripping	a	b	c	d	e
inch	0.197	0.315	0.827	0	0.63
mm	5	8	21		16

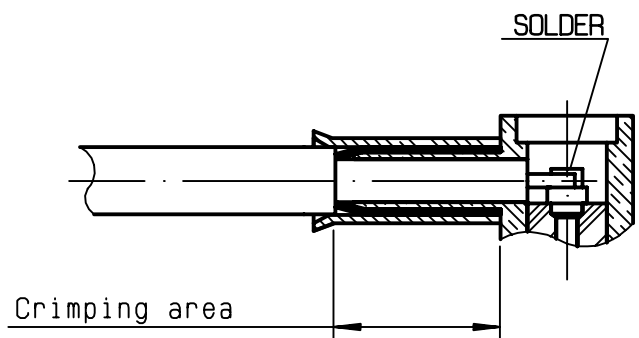
②

Fan the braid .
Push connector body under the braid .
Slide the ferrule on the braid
(in direction F)
-
-



③

Crimp the ferrule with crimping tool
R282 231 000 (Hex. : 0.415) or
crimping tool R 282 293 000 (M22520/5-01)
+ dies R 282 235 116 (Y116 DANIELS)
Solder inner conductor .



④

Place the cap .
Press cap flush or slightly below surface
of body assembly .
-
-
-
-

